



AU-D41

4-Way Optical Audio Switcher (with IR remote)

OPERATION MANUAL

DISCLAIMERS

The information in this manual has been carefully checked and is believed to be accurate. CYP (UK) Ltd assumes no responsibility for any infringements of patents or other rights of third parties which may result from its use.

CYP (UK) Ltd assumes no responsibility for any inaccuracies that may be contained in this document. CYP (UK) Ltd also makes no commitment to update or to keep current the information contained in this document.

CYP (UK) Ltd reserves the right to make improvements to this document and/or product at any time and without notice.

COPYRIGHT NOTICE

No part of this document may be reproduced, transmitted, transcribed, stored in a retrieval system, or any of its part translated into any language or computer file, in any form or by any means—electronic, mechanical, magnetic, optical, chemical, manual, or otherwise—without express written permission and consent from CYP (UK) Ltd.

© Copyright 2019 by CYP (UK) Ltd.

All Rights Reserved.

Version 1.1

TRADEMARK ACKNOWLEDGMENTS

All products or service names mentioned in this document may be trademarks of the companies with which they are associated.

SAFETY PRECAUTIONS

Please read all instructions before attempting to unpack, install or operate this equipment and before connecting the power supply.

Please keep the following in mind as you unpack and install this equipment:

- Always follow basic safety precautions to reduce the risk of fire, electrical shock and injury to persons.
- To prevent fire or shock hazard, do not expose the unit to rain, moisture or install this product near water.
- Never spill liquid of any kind on or into this product.
- Never push an object of any kind into this product through any openings or empty slots in the unit, as you may damage parts inside the unit.
- Do not attach the power supply cabling to building surfaces.
- Use only the supplied power supply unit (PSU). Do not use the PSU if it is damaged.
- Do not allow anything to rest on the power cabling or allow any weight to be placed upon it or any person walk on it.
- To protect the unit from overheating, do not block any vents or openings in the unit housing that provide ventilation and allow for sufficient space for air to circulate around the unit.

REVISION HISTORY

VERSION NO.	DATE	SUMMARY OF CHANGE
v2.00	24/06/2019	First release

CONTENTS

1. Introduction	6
2. Applications	6
3. Package Contents	6
4. Features	6
5. Operation Controls and Functions	7
5.1 Top Panel	7
5.2 Left Panel	7
5.3 Right Panel	8
5.4 Rear Panel	8
5.5 Remote Control	8
6. Connection Diagram	9
7. Specifications	10
8. Acronyms	11

1. INTRODUCTION

The 4 by 1 Optical Audio Switcher has four optical inputs and one optical output and allows users with multiple optical sources to switch between sources without delay. The device has a built-in last memory function and IR remote control which provides a more user-friendly experience.

2. APPLICATIONS

Expand the available optical inputs for:

- /// High performance stereo systems
- /// Home theatre systems
- /// Audio showroom
- /// Presentation systems

3. PACKAGE CONTENTS

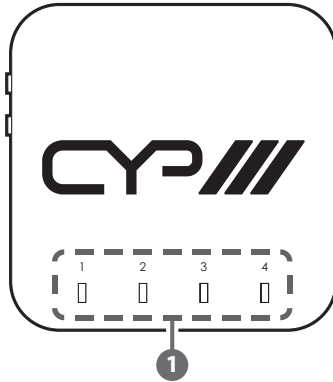
- /// 4 by 1 Optical Audio Switcher
- /// IR Remote Control (CR-72)
- /// 5 V/1 A Power Adaptor
- /// Operation Manual

4. FEATURES

- /// Optical sampling rate supports up to 192 kHz
- /// Low power consumption
- /// Up to 24-bit resolution

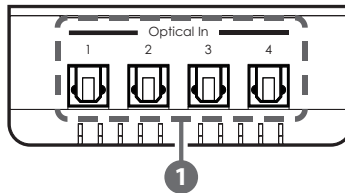
5. OPERATION CONTROLS AND FUNCTIONS

5.1 Top Panel



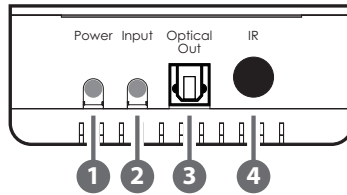
- ❶ **Input LED 1~4:** The blue LED will illuminate to indicate the selected source.

5.2 Left Panel



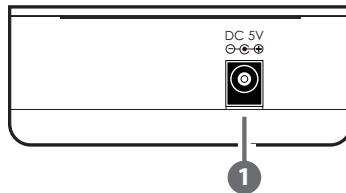
- ❶ **Optical In:** Connect to the source equipment such as DVD/Blu-ray players, set-top boxes or game consoles for audio input signal routing.

5.3 Right Panel



- ❶ **Power:** Press to turn on the device or to set it to standby mode. The blue LED on the top panel will illuminate when the device is powered and switched on.
- ❷ **Input:** Select the input port from 1 to 4. The blue LED on the top panel will illuminate to indicate the selected source.
- ❸ **Optical Out:** Connect to an amplifier or active speaker with optical cable for audio output.
- ❹ **IR:** IR receiver window that receives the IR signal from the supplied remote control. Please ensure that there is a clear line-of-sight between the receiver and the remote.

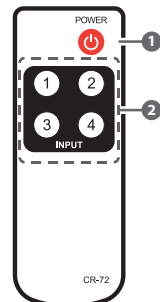
5.4 Rear Panel



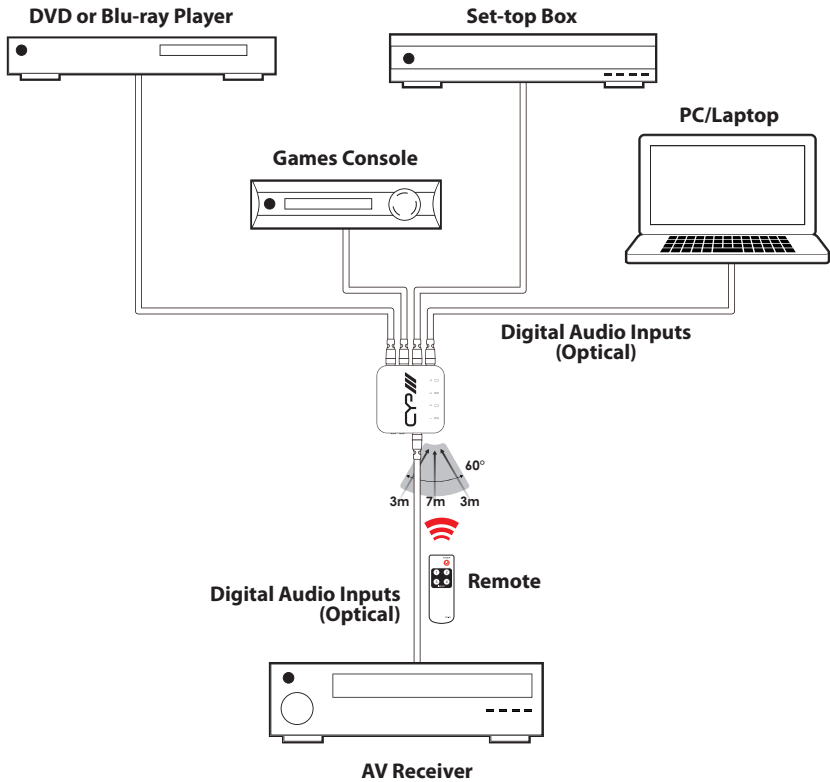
- ❶ **DC 5V:** Connect the 5V DC power supply into the unit and plug the adaptor to an AC wall outlet.

5.5 Remote Control

- ❶ **POWER:** Press to turn on the device; press it again to put the device into standby mode.
- ❷ **INPUT 1~4:** Press the required input button to select the input source.



6. CONNECTION DIAGRAM



7. SPECIFICATIONS

Input Ports	4×Optical
Sampling Rate	Up to 192 kHz
Output Port	1×Optical
Audio Format	PCM2, Dolby 5.1 & DTS 5.1 (Pass through)
Power Supply	5 V/1 A DC (US/EU standards, CE/FCC/UL certified)
ESD Protection	Human body model: ± 8kV (air-gap discharge) ± 6kV (contact discharge)
Dimensions	85 mm (W)×85 mm (D)×35 mm (H)
Weight	90 g
Chassis Material	Plastic
Silkscreen Color	White
Operating Temperature	0 °C~40 °C/32 °F~104 °F
Storage Temperature	-20 °C~60 °C/-4 °F~140 °F
Power Consumption	<1 W
Relative Humidity	20~90 % RH (non-condensing)

Audio Specifications:

Input Level/Frequency	Optical 0dBFS 1 kHz
Output Terminal	Optical
Output Level	0~0.05dBFS
THD+N	<0.01%
Frequency Response	± 1dBFS
SNR	> 90dB
Crosstalk	< -90dB

8. ACRONYMS

ACRONYM	COMPLETE TERM
IR	Infrared



CYP (UK) Ltd., Unit 7, Shepperton Business Park, Govett Avenue, Shepperton,
Middlesex, TW17 8BA

Tel: +44 (0) 20 3137 9180 | Fax: +44 (0) 20 3137 6279

Email: sales@cypeurope.com

www.cypeurope.com

v2.00